

Manually Operated Pneumatic Valves

Pneumatic Push Button Valve - Shrouded Type Button

Technical information

Actuation force @ 6 bar: 8N
Pressure range: 2.5-10 bar
Temperature range: -15°C...+50°C
Housing: Die-cast and lacquered zinc alloy
Seals: NBR
Lubricant: Not required
Operating medium: 5 micron filtered, lubricated or non-lubricated compressed air

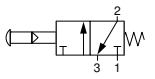
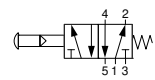
Air Pilot Assisted



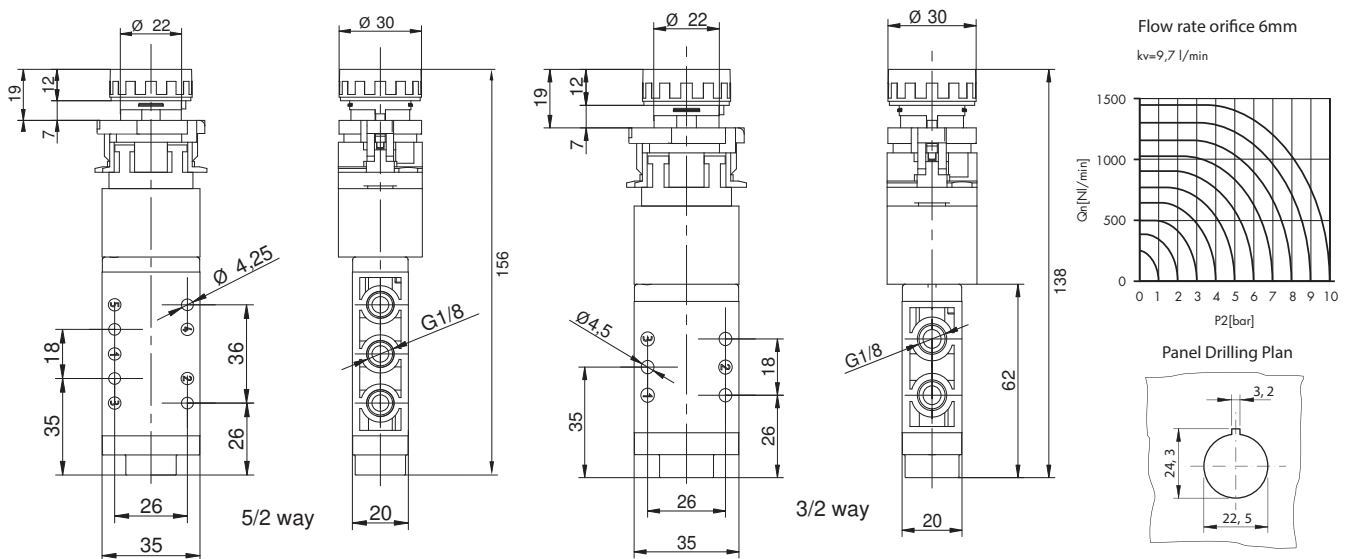
Other information



For ATEX certification use suffix code "EX" for example 76.XXX.XX.XX.EX
 For NPT ports use prefix code "75" for example 75.XXX.XX.XX

Symbol	Description	Type	Orifice	Ports	Button	Order code
	3/2 way spring return normally closed	Spool	6mm	G1/8	**	76.022.52.21
** Valves are supplied with three coloured discs - white, red & black						
	5/2 way spring return	Spool	6mm	G1/8	**	76.023.52.41

Dimensional drawings



Manually Operated Pneumatic Valves


Pneumatic Knob Operated Valve - 3/2 Way

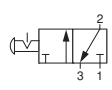
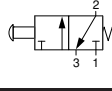
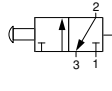
Technical information

Pressure range:	0-10 bar
Temperature range:	-15°C...+50°C
Housing:	Die-cast and lacquered G1/8 zinc alloy or G1/4 aluminium alloy
Seals:	NBR
Lubricant:	Not required
Operating medium:	5 micron filtered, lubricated or non-lubricated compressed air



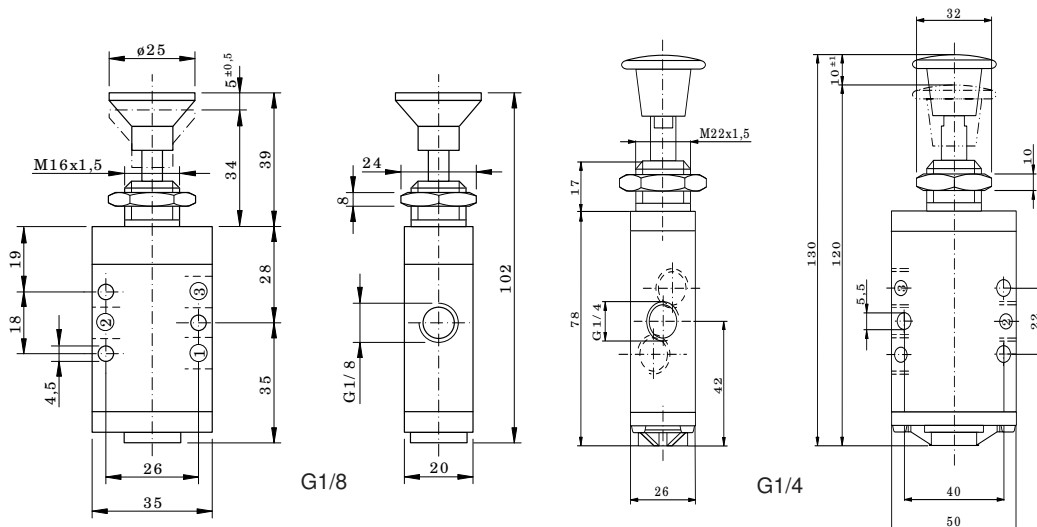
Other information

 For ATEX certification use suffix code "EX" for example 76.XXX.XX.XX.EX
For NPT ports use prefix code "75" for example 75.XXX.XX.XX

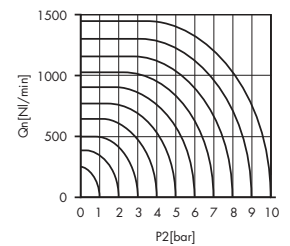
Symbol	Description	Type	Orifice	Ports	Button	Order code
	3/2 way push-pull maintained position	Spool	6mm	G1/8	Black	76.022.27.00
	3/2 way push-pull maintained position	Spool	8mm	G1/4	Black	76.042.27.00
	3/2 way spring return normally closed	Spool	6mm	G1/8	Black	76.022.27.21
	3/2 way spring return normally closed	Spool	8mm	G1/4	Black	76.042.27.21
	3/2 way push-pull maintained position with pilot return **	Spool	6mm	G1/8	Black	76.022.27.22

Dimensional drawings

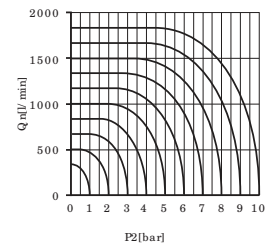
**Dimensional drawing upon request



Flow rate orifice 6mm
kv=9,7 l/min



Flow rate orifice 8mm
kv=12,40 l/min



Manually Operated Pneumatic Valves


Pneumatic Knob Operated Valve G1/8 Ports - 5/2 Way

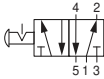
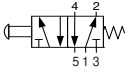
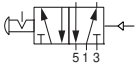
Technical information

Pressure range:	0-10 bar
Temperature range:	-15°C...+50°C
Housing:	Die-cast and lacquered zinc alloy
Seals:	NBR
Lubricant:	Not required
Operating medium:	5 micron filtered, lubricated or non lubricated compressed air.



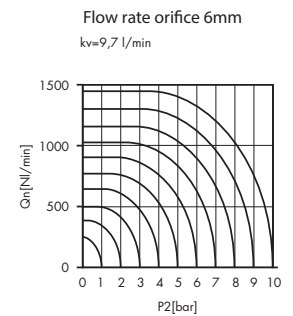
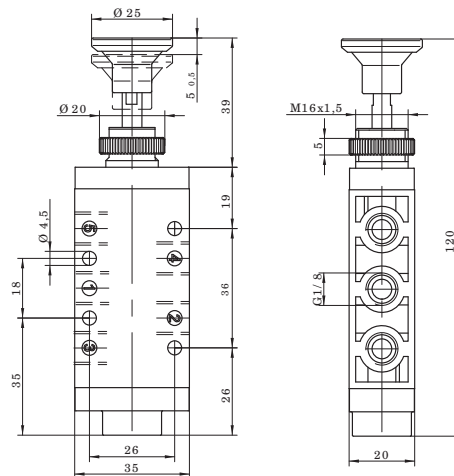
Other information

 For ATEX certification use suffix code "EX" for example 76.XXX.XX.XX.EX
For NPT ports use prefix code "75" for example 75.XXX.XX.XX

Symbol	Description	Type	Orifice	Ports	Button	Order code
	5/2 way push-pull maintained position	Spool	6mm	G1/8	Black	76.023.27.40
	5/2 way spring return	Spool	6mm	G1/8	Black	76.023.27.41
	5/2 way push-pull maintained position with pilot return **	Spool	6mm	G1/8	Black	76.023.27.42

Dimensional drawings

**Dimensional drawing upon request



Manually Operated Pneumatic Valves

Pneumatic Knob Operated Valve G1/4 Ports - 5/2 Way

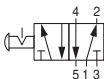
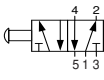
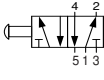
Technical information

Pressure range:	0-10 bar
Temperature range:	-15°C...+50°C
Housing:	Glass fibre reinforced PPA
Seals:	NBR
Lubricant:	Not required
Operating medium:	5 micron filtered, lubricated or non-lubricated compressed air.



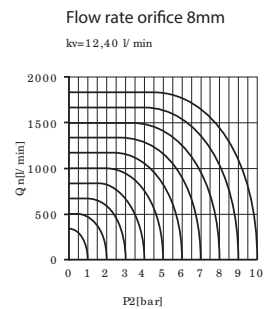
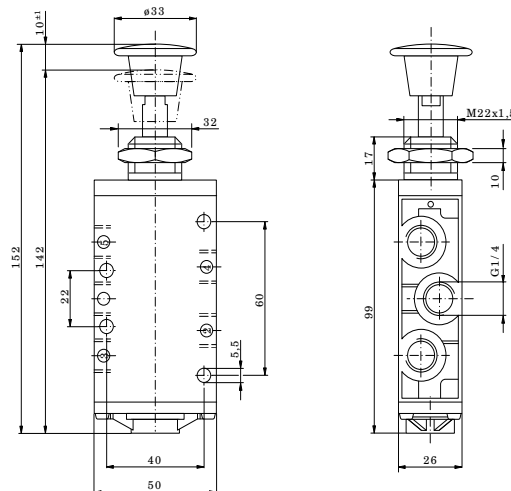
Other information

For NPT ports use prefix code "75" for example 75.XXX.XX.XX

Symbol	Description	Type	Orifice	Ports	Button	Order code
	5/2 way push-pull maintained position	Spool	8mm	G1/4	Black	76.143.27.40
	5/2 way spring return	Spool	8mm	G1/4	Black	76.143.27.41
	5/2 way push-pull maintained position with pilot return **	Spool	8mm	G1/4	Black	76.143.27.42

Dimensional drawings

**Dimensional drawing upon request



Manually Operated Pneumatic Valves

Pneumatic Push Button Valve - Flush Button

Technical information

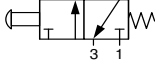
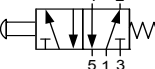
Pressure range:	0-10 bar
Temperature range:	-15°C...+50°C
Housing:	Die-cast and lacquered zinc alloy
Seals:	NBR
Lubricant:	Not required
Operating medium:	5 micron filtered, lubricated or non-lubricated compressed air

Other information

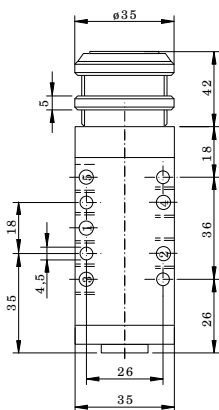


For ATEX certification use suffix code "EX" for example 76.XXX.XX.XX.EX
For NPT ports use prefix code "75" for example 75.XXX.XX.XX

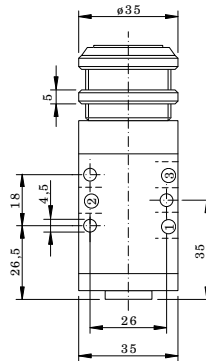
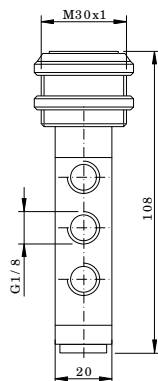


Symbol	Description	Type	Orifice	Ports	Button	Order code
	3/2 way spring return normally closed	Spool	6mm	G1/8	Red	76.022.62.21
	3/2 way spring return normally closed	Spool	6mm	G1/8	Black	76.022.62.23
	3/2 way spring return normally closed	Spool	6mm	G1/8	Green	76.022.62.24
	5/2 way spring return	Spool	6mm	G1/8	Red	76.023.62.41
	5/2 way spring return	Spool	6mm	G1/8	Black	76.023.62.43
	5/2 way spring return	Spool	6mm	G1/8	Green	76.023.62.44

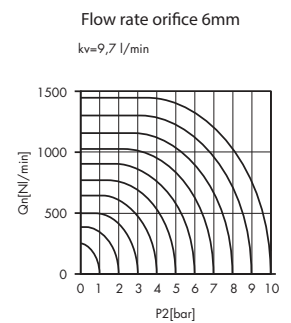
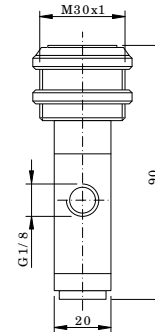
Dimensional drawings



5/2 way



3/2 way



Manually Operated Pneumatic Valves

Pneumatic Push Button Valve - Mushroom Button

Technical information

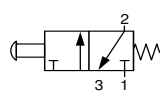
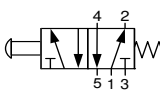
Pressure range:	0-10 bar
Temperature range:	-15°C...+50°C
Housing:	Die-cast and lacquered zinc alloy
Seals:	NBR
Lubricant:	Not required
Operating medium:	5 micron filtered, lubricated or non-lubricated compressed air



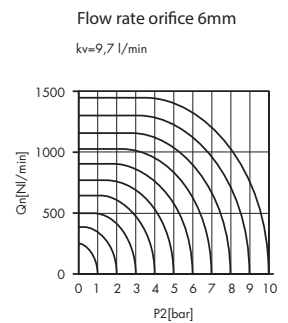
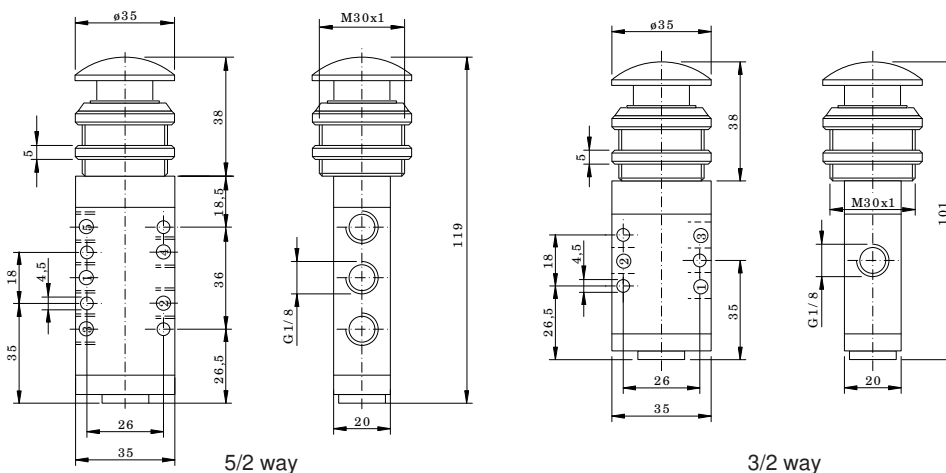
Other information



For ATEX certification use suffix code "EX" for example 76.XXX.XX.XX.EX
For NPT ports use prefix code "75" for example 75.XXX.XX.XX

Symbol	Description	Type	Orifice	Ports	Button	Order code
	3/2 way spring return normally closed	Spool	6mm	G1/8	Red	76.022.61.21
	3/2 way spring return normally closed	Spool	6mm	G1/8	Black	76.022.61.23
	3/2 way spring return normally closed	Spool	6mm	G1/8	Green	76.022.61.24
	5/2 way spring return	Spool	6mm	G1/8	Red	76.023.61.41
	5/2 way spring return	Spool	6mm	G1/8	Black	76.023.61.43
	5/2 way spring return	Spool	6mm	G1/8	Green	76.023.61.44

Dimensional drawings




Manually Operated Pneumatic Valves

Pneumatic Push Button Valve - Mushroom Type Button

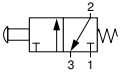
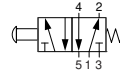
Technical information

Pressure range:	0-10 bar
Temperature range:	-15°C...+50°C
Housing:	Die-cast and lacquered zinc alloy
Seals:	NBR
Lubricant:	Not required
Operating medium:	5 micron filtered, lubricated or non-lubricated compressed air

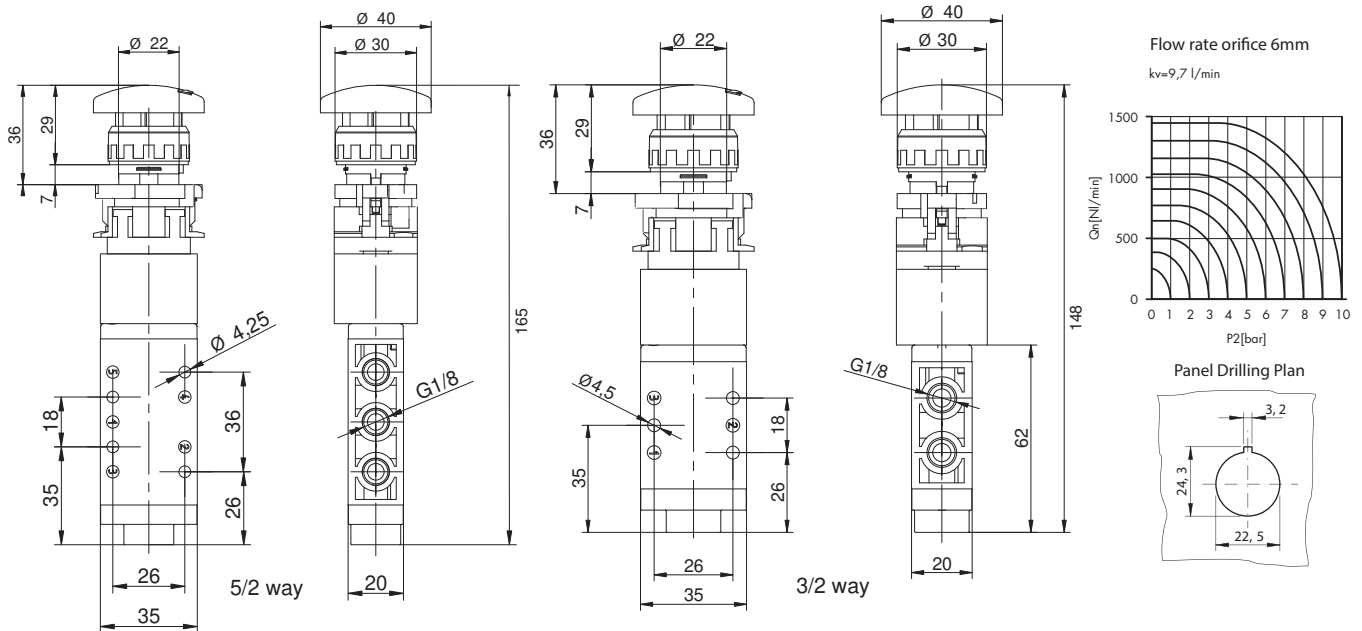
Other information

 For ATEX certification use suffix code "EX" for example 76.XXX.XX.XX.EX
For NPT ports use prefix code "75" for example 75.XXX.XX.XX



Symbol	Description	Type	Orifice	Ports	Button	Order code
	3/2 way spring return normally closed	Spool	6mm	G1/8	Red	76.022.43.21
	5/2 way spring return	Spool	6mm	G1/8	Red	76.023.43.41

Dimensional drawings



Manually Operated Pneumatic Valves

Pneumatic Push Button Valve - Mushroom Button

Technical information

Actuation force @ 6 bar: 4N 3/2 way & 8N 5/2 way
Pressure range: 2.5-10 bar
Temperature range: -15°C...+50°C
Housing: Die-cast and lacquered zinc alloy
Seals: NBR
Lubricant: Not required
Operating medium: 5 micron filtered, lubricated or non-lubricated compressed air

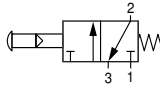
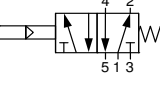
Air Pilot Assisted



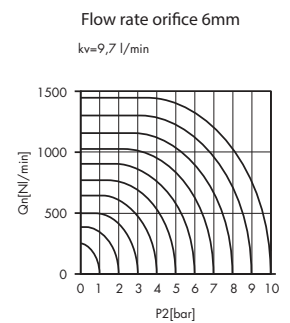
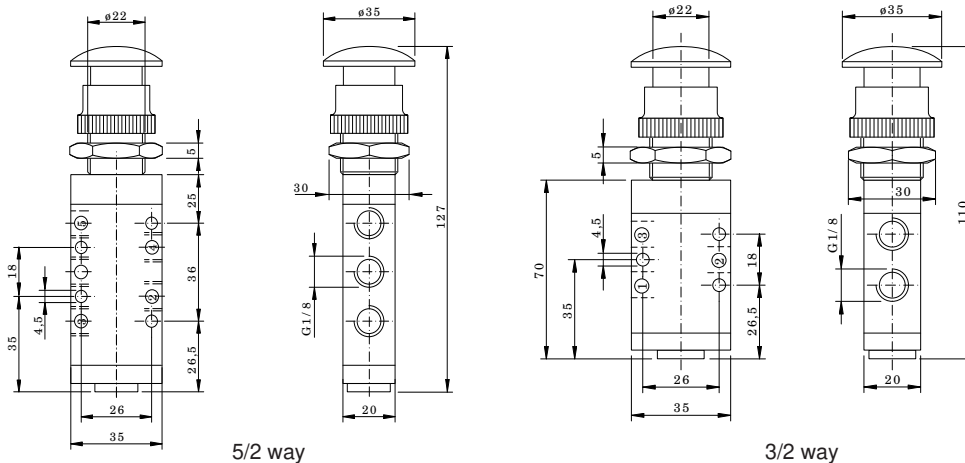
Other information



For ATEX certification use suffix code "EX" for example 76.XXX.XX.XX.EX
 For NPT ports use prefix code "75" for example 75.XXX.XX.XX

Symbol	Description	Type	Orifice	Ports	Button	Order code
	3/2 way spring return normally closed	Spool	6mm	G1/8	Red	76.022.65.21
	3/2 way spring return normally closed	Spool	6mm	G1/8	Black	76.022.65.23
	3/2 way spring return normally closed	Spool	6mm	G1/8	Green	76.022.65.24
	5/2 way spring return	Spool	6mm	G1/8	Red	76.023.65.41
	5/2 way spring return	Spool	6mm	G1/8	Black	76.023.65.43
	5/2 way spring return	Spool	6mm	G1/8	Green	76.023.65.44

Dimensional drawings



Manually Operated Pneumatic Valves

Pneumatic Push Button Valve - Mushroom Type Button

Technical information

Actuation force @ 6 bar: 8N
Pressure range: 2.5-10 bar
Temperature range: -15°C...+50°C
Housing: Die-cast and lacquered zinc alloy
Seals: NBR
Lubricant: Not required
Operating medium: 5 micron filtered, lubricated or non-lubricated compressed air

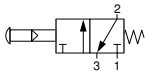
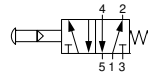
Air Pilot Assisted



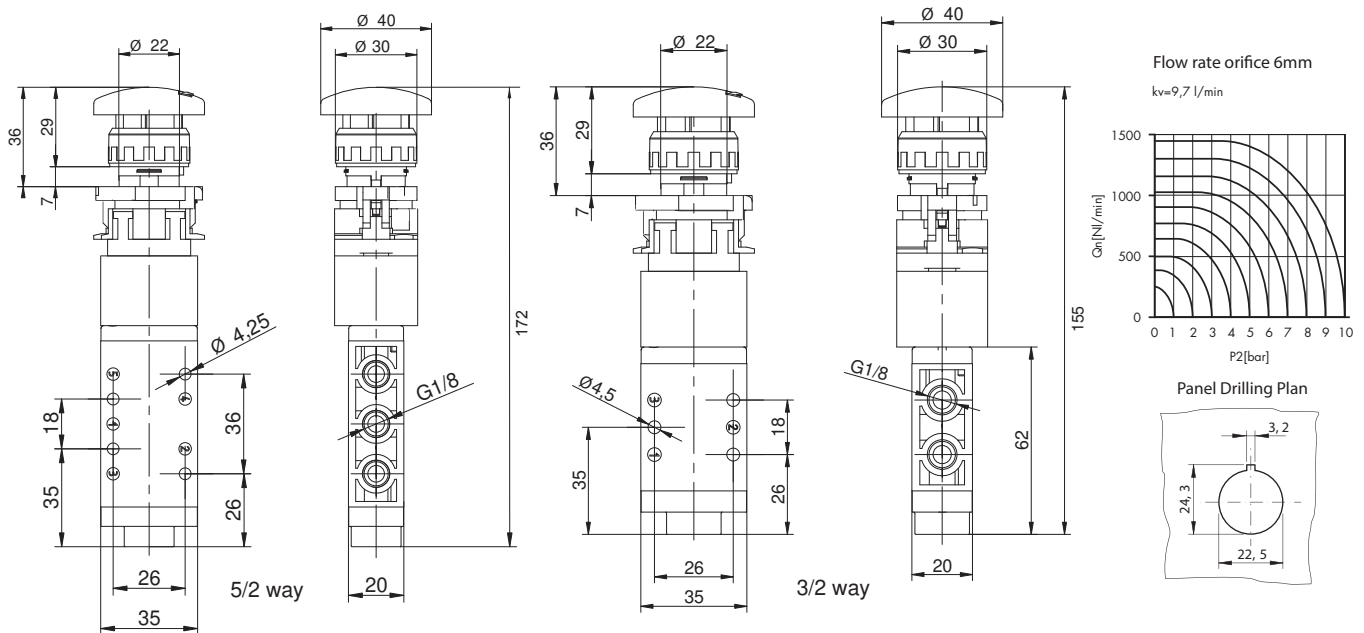
Other information



For ATEX certification use suffix code "EX" for example 76.XXX.XX.XX.EX
 For NPT ports use prefix code "75" for example 75.XXX.XX.XX

Symbol	Description	Type	Orifice	Ports	Button	Order code
	3/2 way spring return normally closed	Spool	6mm	G1/8	Red	76.022.53.21
	5/2 way spring return	Spool	6mm	G1/8	Red	76.023.53.41

Dimensional drawings




Manually Operated Pneumatic Valves

Pneumatic Push Button Valve - Punch Type Button

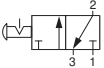
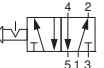
Technical information

Pressure range:	0-10 bar
Temperature range:	-15°C...+50°C
Housing:	Die-cast and lacquered zinc alloy
Seals:	NBR
Lubricant:	Not required
Operating medium:	5 micron filtered, lubricated or non-lubricated compressed air

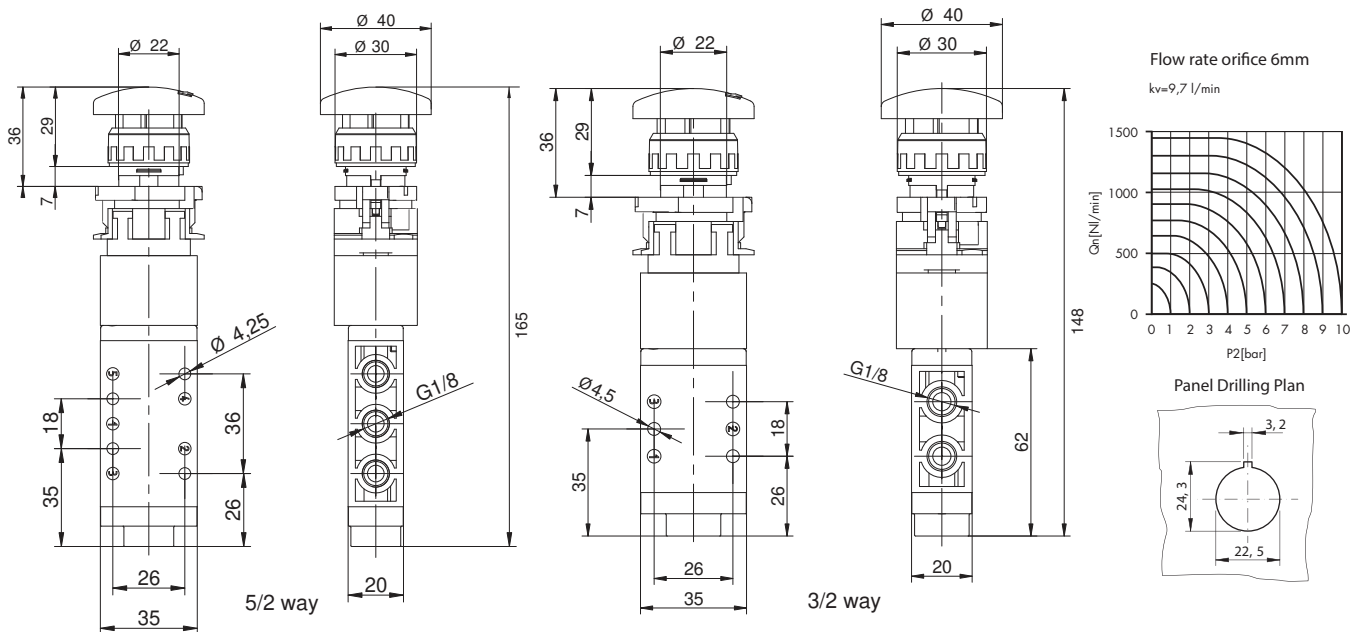
Other information

 For ATEX certification use suffix code "EX" for example 76.XXX.XX.XX.EX
For NPT ports use prefix code "75" for example 75.XXX.XX.XX



Symbol	Description	Type	Orifice	Ports	Button	Order code
	3/2 way maintained position push to latch twist to unlatch	Spool	6mm	G1/8	Red	76.022.44.21
	5/2 way maintained position push to latch twist to unlatch	Spool	6mm	G1/8	Red	76.023.44.41

Dimensional drawings



Manually Operated Pneumatic Valves

Pneumatic Push Button Valve - Punch Type Button

Technical information

Air Pilot Assisted

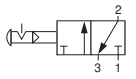
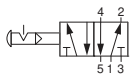
Pressure range:	2.5-10 bar
Temperature range:	-15°C...+50°C
Housing:	Die-cast and lacquered zinc alloy
Seals:	NBR
Lubricant:	Not required
Operating medium:	5 micron filtered, lubricated or non-lubricated compressed air



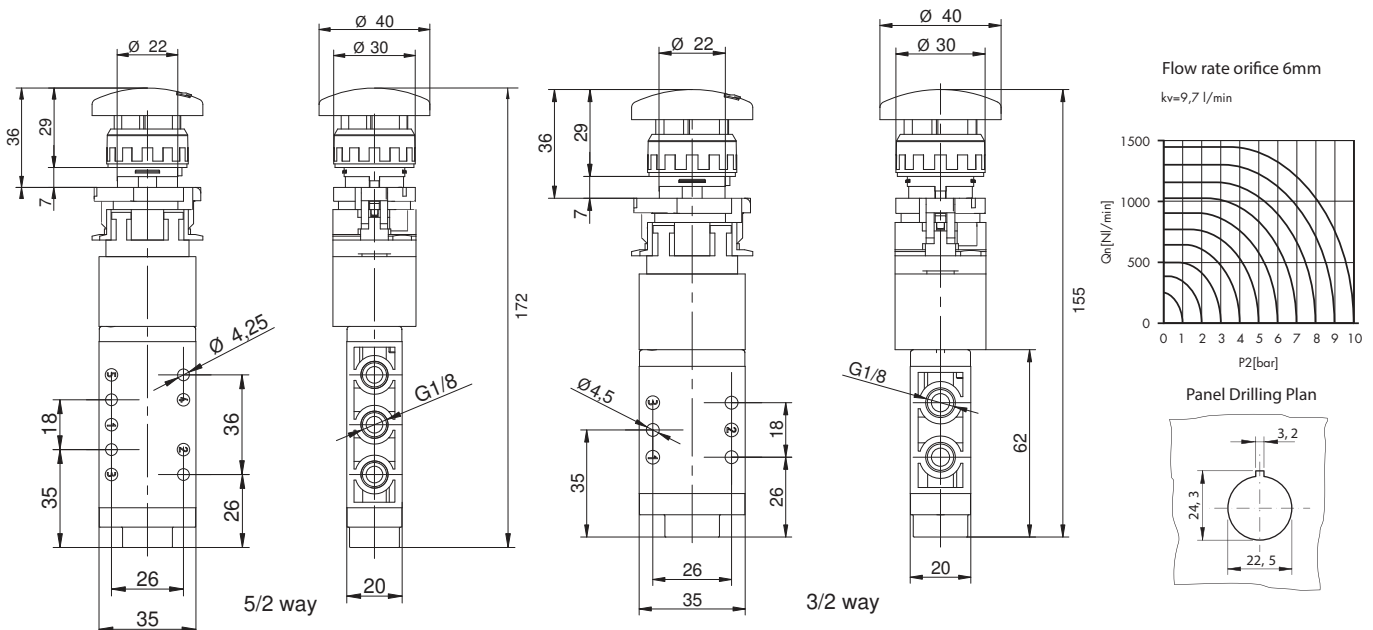
Other information



For ATEX certification use suffix code "EX" for example 76.XXX.XX.XX.EX
For NPT ports use prefix code "75" for example 75.XXX.XX.XX

Symbol	Description	Type	Orifice	Ports	Button	Order code
	3/2 way maintained position push to latch twist to unlatch	Spool	6mm	G1/8	Red	76.022.54.21
	5/2 way maintained position push to latch twist to unlatch	Spool	6mm	G1/8	Red	76.023.54.41

Dimensional drawings




Manually Operated Pneumatic Valves

Pneumatic Push Button Valve - Shrouded Type Button

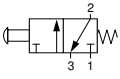
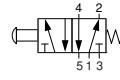
Technical information

Pressure range:	0-10 bar
Temperature range:	-15°C...+50°C
Housing:	Die-cast and lacquered zinc alloy
Seals:	NBR
Lubricant:	Not required
Operating medium:	5 micron filtered, lubricated or non-lubricated compressed air

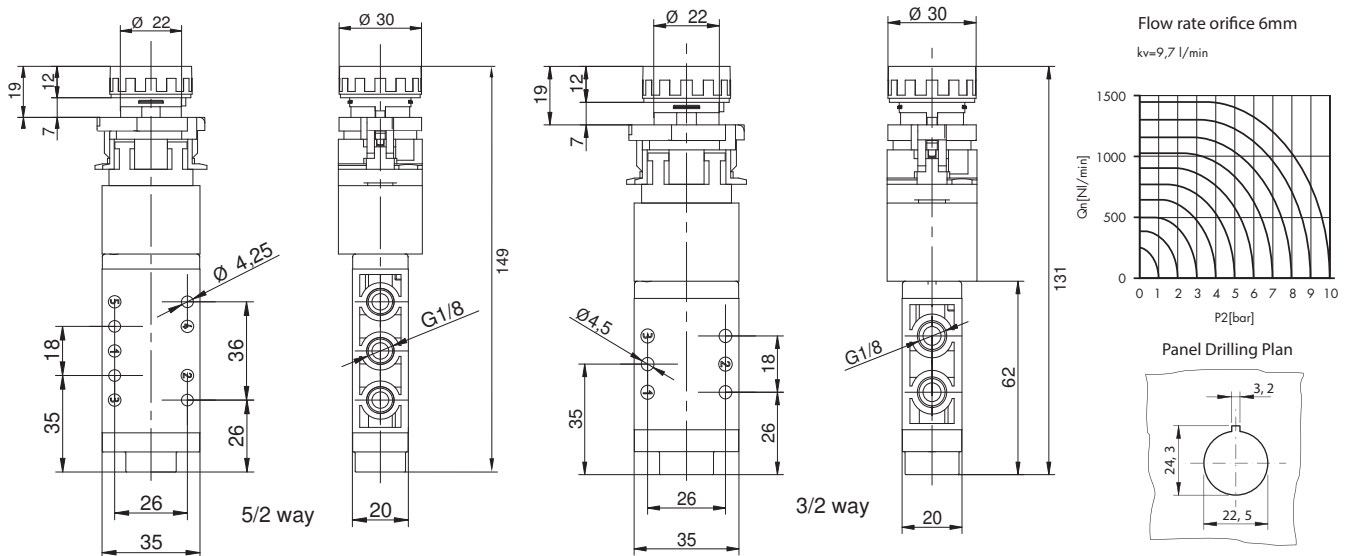
Other information

 For ATEX certification use suffix code "EX" for example 76.XXX.XX.XX.EX
 For NPT ports use prefix code "75" for example 75.XXX.XX.XX



Symbol	Description	Type	Orifice	Ports	Button	Order code
	3/2 way spring return normally closed	Spool	6mm	G1/8	**	76.022.42.21
** Valves are supplied with three coloured discs - white, red & black						
	5/2 way spring return	Spool	6mm	G1/8	**	76.023.42.41

Dimensional drawings



Manually Operated Pneumatic Valves

Pneumatic Push Button Valve - Shrouded Button

Technical information

Actuation force @ 6 bar: 4N 3/2 way & 8N 5/2 way
Pressure range: 2.5-10 bar
Temperature range: -15°C...+50°C
Housing: Die-cast and lacquered zinc alloy
Seals: NBR
Lubricant: Not required
Operating medium: 5 micron filtered, lubricated or non-lubricated compressed air

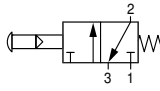
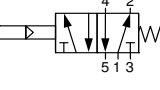
Air Pilot Assisted



Other information



For ATEX certification use suffix code "EX" for example 76.XXX.XX.XX.EX
 For NPT ports use prefix code "75" for example 75.XXX.XX.XX

Symbol	Description	Type	Orifice	Ports	Button	Order code
	3/2 way spring return normally closed	Spool	6mm	G1/8	Red	76.022.66.21
	3/2 way spring return normally closed	Spool	6mm	G1/8	Black	76.022.66.23
	3/2 way spring return normally closed	Spool	6mm	G1/8	Green	76.022.66.24
	5/2 way spring return	Spool	6mm	G1/8	Red	76.023.66.41
	5/2 way spring return	Spool	6mm	G1/8	Black	76.023.66.43
	5/2 way spring return	Spool	6mm	G1/8	Green	76.023.66.44

Dimensional drawings

