

Series DC

Check Valves



Features

- SUITABLE FOR LOW PRESSURE APPLICATIONS
- THE VALVE ALLOWS COMPRESSED AIR FROM ONE SIDE AND BLOCKS THE INVERSE FLOW TO PROTECT AND MAINTAIN THE VACUUM LINE AND IS EASILY APPLIED TO LOW PRESSURE PIPING

How to Order

DCH 06 - 01 S - O

1
2
3
4
5

1 Model

2 Applicable Tube O. D.

04 : Ø4
06 : Ø6
08 : Ø8

3 Port Size

M5 : M5 x 0.8
01 : R 1/8
02 : R 1/4
03 : R 3/8
04 : R 1/2
06 : R 3/4

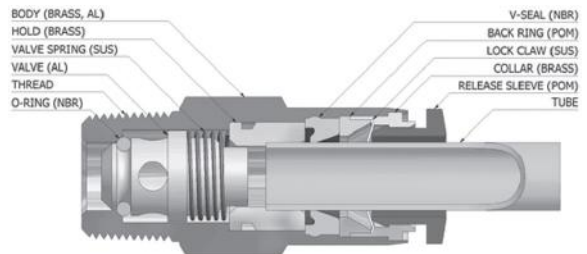
4 Sealant Screw

S : Sealant

5 Controlled Method

O : Out
I : In

Structural Diagram



Standard Specifications

Fluid Type	Air
Max. Operating Pressure	0~150psi (0~9.9kgf/cm ²)
Ambient and Fluid Temperature	0~60 °C
Applicable Tube O.D	Ø4, Ø6, Ø8

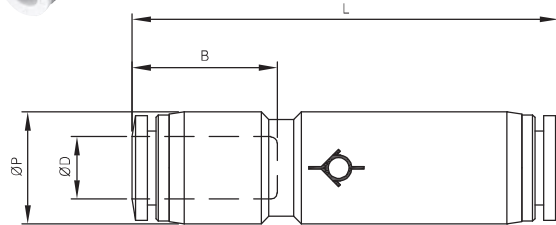
Series DC



METRIC-BSPT(R)

Unit : mm

MODEL	∅D (Tube Size)	∅P	L	B	Weight (g)
DC-04-W	4	10.5	42.3	14.9	5.0
DC-06-W	6	12.5	47.5	16.4	10.0
DC-08-W	8	14.8	56.4	18.7	14.0

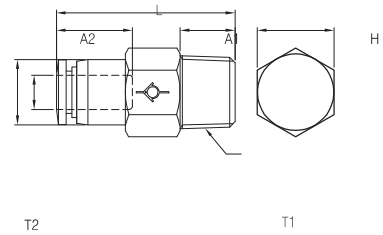


METRIC-BSPT(R)

Unit : mm

MODEL	T1 (Tube Size)	T2 (Thread Size)	L	A1	A2	H (Hex.)	Weight (g)
DCF 01-01S-O	R 1/8	Rc 1/8	27.6	8.0	8.5	12	16.0
DCF 01-01S-I							
DCF 02-02S-O	R 1/4	Rc 1/4	33.6	10.0	11.0	17	38.0
DCF 02-02S-I							

○ : DCH xx-xx-O (OUT)
 ○ : DCH xx-xx-I (IN)

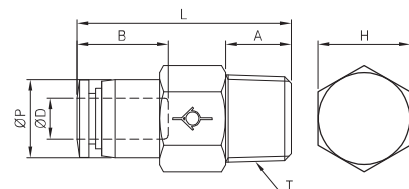


METRIC-BSPT(R)

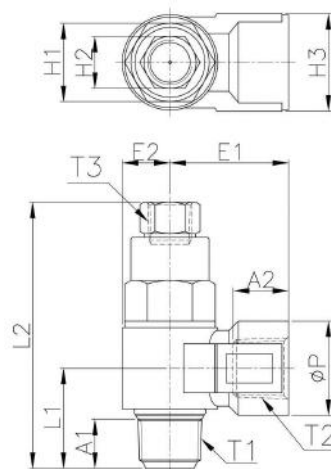
Unit : mm

MODEL	∅D (Tube Size)	T (Thread Size)	∅P	L	A	B	H (Hex.)	Weight (g)
DCH 04-M5-O	4	M5×0.8	10.0	31.4	3.6	14.7	10	11.0
DCH 04-M5-I								
DCH 04-01S-O	4	R 1/8	10.0	27.3	8.0	14.7	10	11.0
DCH 04-01S-I								
DCH 06-01S-O	6	R 1/8	11.9	32.6	8.0	16.4	12	16.0
DCH 06-01S-I								
DCH 06-02S-O		R 1/4		32.6	10.0		14	24.0
DCH 06-02S-I								
DCH 08-01S-O	8	R 1/8	14.0	34.9	8.0	18.4	14	21.0
DCH 08-01S-I								
DCH 08-02S-O		R 1/4		37.2	10.0		14	24.0
DCH 08-02S-I								

○ : DCH xx-xx-O (OUT)
 ○ : DCH xx-xx-I (IN)



DCVF



METRIC-BSPT(R)

Unit

MODEL	ØP	T1	A1	T2	A2	T3	L1
DCVF 01-01S	14.5	R 1/8	7.6	Rc 1/8	10	M5	15.4
DCVF 02-02S	18	R 1/4	10.6	Rc 1/4	13	Rc 1/8	21.1
DCVF 03-03S	23	R 3/8	12.6	Rc 3/8	14.5	Rc 1/8	24.8
DCVF 04-04S	26.5	R 1/2	14.5	Rc 1/2	19	Rc 1/4	31

MODEL	L2	E1	E2	H1(Hex)	H2(Hex)	H3
DCVF 01-01S	40.8	18.2	7.3	12	8	15
DCVF 02-02S	48.9	26.5	9.5	17	12	19
DCVF 03-03S	56.7	30.8	11.6	20	12	24
DCVF 04-04S	70.6	38.7	14	24	17	28