

CB Pneumatic Cylinder Ø 16mm - 100mm

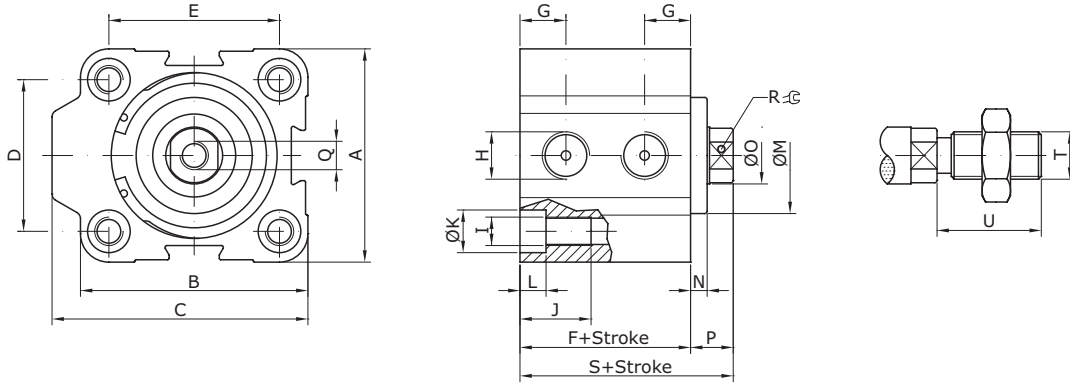
General Information



Technical Data

Piston diameters:	Ø 16, 20, 25, 32, 40, 50, 63, 80, 100 (mm)									
Ports:	Ø 16, Ø 20 = M5; Ø 25, Ø 32, Ø 40, Ø 50, Ø 63 = G1/8; Ø 80, Ø 100 = G1/4									
Covers:	Anodised aluminum alloy									
Piston rod (Ø 16 - 32):	Chromium plated stainless steel (stainless steel AISI 304)									
Piston rod (Ø 40 - 100):	C45 chromium plated steel									
Piston (Ø 16 - 32):	Neodymium									
Piston (Ø 40 - 100):	Plastoferrite									
Tube:	Anodised aluminum alloy									
Piston and piston rod:	PUR piston and piston rod (Viton® upon request)									
Other seals:	NBR									
Operating medium:	Compressed air, dry, lubricant not necessary									
Pressure range:	1.5 - 10 bar									
Operating temperature:	NBR/PUR seals: -10 °C to +70 °C Viton® seals: -10 °C to +150 °C									
Force at 6 bar:	Ø	16	20	25	32	40	50	63	80	100
	N [push]	115	175	280	470	730	1.140	1.820	2.950	4.600
	N [pull]	85	135	245	400	660	1.000	1.700	2.660	4.300

Dimensional Drawing

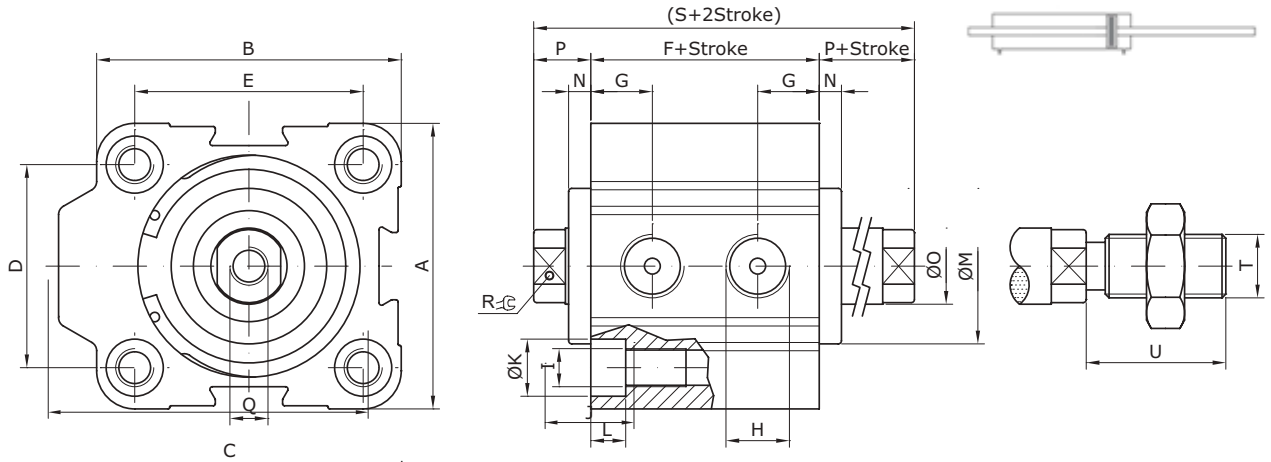


Ø	A	B	C	D	E	F	G	H	I	J	ØK	L	ØM	N	ØO	P	Q	R	S	T	U
16	28	28	31	20	20	31	8	M5	M4	15	6	3.5	-	-	8	4.5	M5x7	7	36	M6	18
20	32	32	35	22	22	31	8.5	M5	M5	15	7	4.5	-	-	10	4.5	M5x7	8	36	M8	20
25	38	39	44.5	26	28	33	9	G1/8	M5	15	7	4.5	-	-	10	5.5	M5x7	8	39	M8	20
32	45	48	54	32	36	36	9.7	G1/8	M6	15	9	5.5	24.5	3.5	12	9	M6x12	10	45	M10x1.25	22
40	54.5	54.5	60	40	40	41	11.5	G1/8	M6	15	9	5.5	30	5.5	12	12	M6x12	10	53	M10x1.25	22
50	65	65	72.5	50	50	42	11.5	G1/8	M8	20	11	6.5	35	5.5	16	13	M8x16	13	55	M12x1.25	24
63	80	80	88	62	62	42	12	G1/8	M10	20	13.5	9	35	6.5	16	15	M8x16	13	57	M12x1.25	24
80	100	100	110	82	82	52	14	G1/4	M10	25	13.5	9	44	10	25	18	M10x18	22	70	M20x1.5	32
100	124	124	134	103	103	62	15	G1/4	M12	30	17	11	56	10	25	20	M12x20	22	82	M20x1.5	32

Order Code

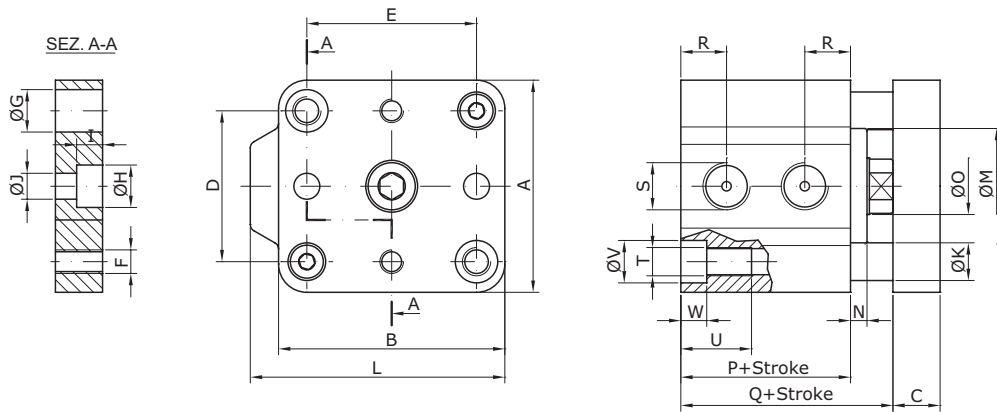
Order specifications	CB	M.	032.	050.	DOM
Series Number	CB				
Design					
	magnetic	M			
	non-magnetic	S			
	torsion protected (magnetic)	A			
	torsion protected (non-magnetic)	B			
Piston diameter					
	Ø 16		016		
	Ø 20		020		
	Ø 25		025		
	Ø 32		032		
	Ø 40		040		
	Ø 50		050		
	Ø 63		063		
	Ø 80		080		
	Ø 100		100		
Stroke					
	mm			xxx	
Version					
	double acting				DOM
	single acting				SOM
Design					
	standard (female threaded piston rod)				-
	through piston rod (female threaded)				1
	tandem				2
	back-to-back				3
	stainless steel piston rod				4
	viton® seals (non-magnetic)				8
	male threaded piston rod				9
Special versions	CB	M	ddd	xxx	zzzz

Through Piston Rod



Ø	A	B	C	D	E	F	G	H	I	J	ØK	L	ØM	N	ØO	P	Q	R	S	T	U
16	28	28	31	20	20	31	8	M5	M4	15	6	3.5	-	-	8	4.5	M5x7	7	40	M6	18
20	32	32	35	22	22	31	8.5	M5	M5	15	7	4.5	-	-	10	4.5	M5x7	8	40	M8	20
25	38	39	44.5	26	28	33	9	G1/8	M5	15	7	4.5	-	-	10	5.5	M5x7	8	44	M8	20
32	45	48	54	32	36	36	9.7	G1/8	M6	15	9	5.5	24.5	3.5	12	9	M6x12	10	54	M10x1.25	22
40	54.5	54.5	60	40	40	41	11.5	G1/8	M6	15	9	5.5	30	5.5	12	12	M6x12	10	65	M10x1.25	22
50	65	65	2.5	50	50	42	11.5	G1/8	M8	20	11	6.5	35	5.5	16	13	M8x16	13	68	M12x1.25	24
63	80	80	88	62	62	42	12	G1/8	M10	20	13.5	9	35	6.5	16	15	M8x16	13	72	M12x1.25	24
80	100	100	110	82	82	52	14	G1/4	M10	25	13.5	9	44	10	25	18	M10x18	22	88	M20x1.5	32
100	124	124	134	103	103	62	15	G1/4	M12	30	17	11	56	10	25	20	M12x20	22	102	M20x1.5	32

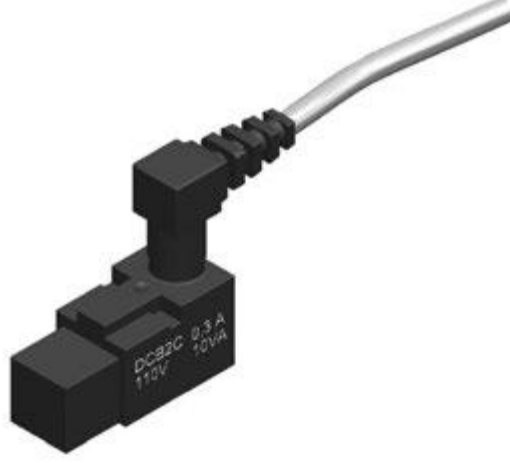
Short Stroke Cylinders - Double Acting & Torsion Protected Type



Ø	A	B	C	D	E	F	ØG	ØH	I	ØJ	ØK	L	M	ØN	ØO	P	Q	R	S	T	U	ØV	W
16	28	28	8	20	20	M3	6	6	3.5	3.5	4	32	-	-	8	31	35.5	8	M5	M4	15	6	3.5
20	32	32	8	22	22	M4	7	7.5	4.5	4.5	6	35	-	-	10	31	35.5	8.5	M5	M5	15	7	4.5
25	38	39	8	26	28	M4	7	7.5	4.5	4.5	6	44.5	-	-	10	33	38.5	9	G1/8	M5	15	7	4.5
32	45	48	10	32	36	M5	10	9	5.5	5.5	8	54	3.5	24.5	12	36	45	9.7	G1/8	M6	15	9	5.5
40	54.5	54.5	10	40	40	M5	10	9	5.5	5.5	8	60	5.5	30	12	41	53	11.5	G1/8	M6	15	9	5.5
50	65	65	12	50	50	M6	12	11	6.5	7	10	72.5	5.5	35	16	42	55	11.5	G1/8	M8	20	11	6.5
63	80	80	12	62	62	M6	14	11	6.5	7	10	88	6.5	35	16	42	57	12	G1/8	M10	20	13.5	9
80	100	100	15	82	82	M8	14	14	8.5	8.5	12	110	10	44	25	52	70	14	G1/4	M10	25	13.5	9
100	124	124	15	103	103	M8	17	14	8.5	8.5	12	134	10	56	25	62	82	15	G1/4	M12	30	17	11

Position Transmitter REED (2 pole with plug connector)

Switching capacity: max 10 VA
Switching current: max 300 mA
Switching voltage: 3 - 110 V AC/DC
Switching time: 0.6 ms
Housing material: plastic
Ambient temperature range: -10°C to +70°C



Code	Description
GA4MM	with cable L = 2000 mm

The shipment include the brackets to insert the position transmitter in the groove.