

Option

PA

SSV

SMS1000

Accessories

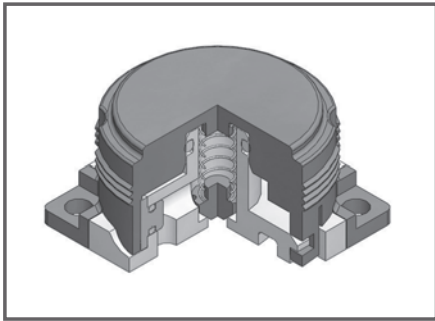
OPTION

PER2000,
3000

PVR3000

PNR4000

Built-In Check Valve

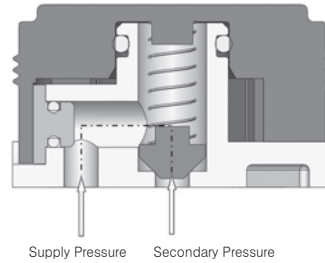


Exhausts pressure and prevents a counter flow air.

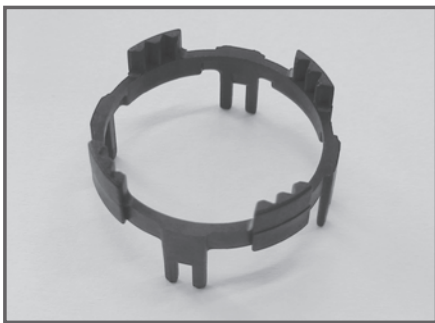
Standard Specifications

Fluid	Air
Ambient and Fluid Temperature(°C)	-5 ~ 60(23~140° F)(Non-Freezing)
Operating Pressure Range(MPa)	Under 0.15(20psi)
Applicable Standard	PC2~5 Series

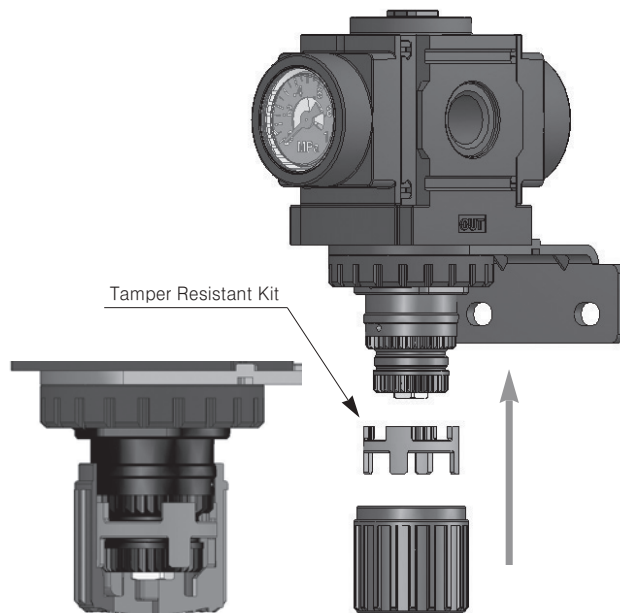
Construction



Tamper Resistant Kit

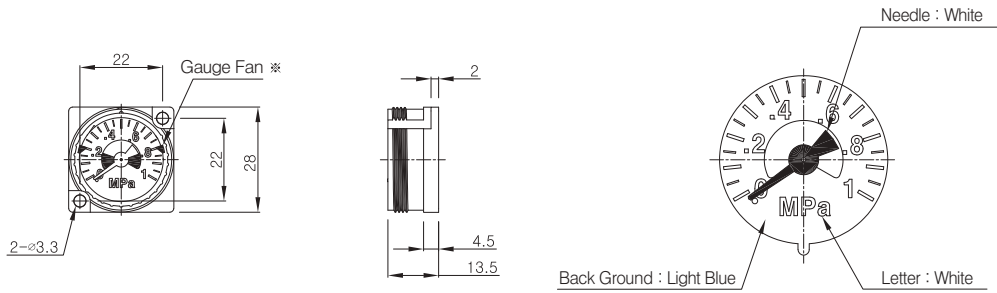


Prevent unauthorized adjustment to the pressure setting.

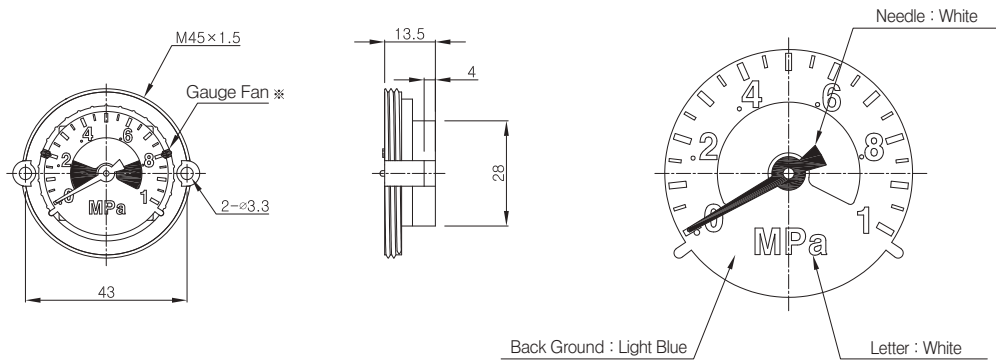


Pressure Gauge

Integral Pressure Gauge (Ø24)

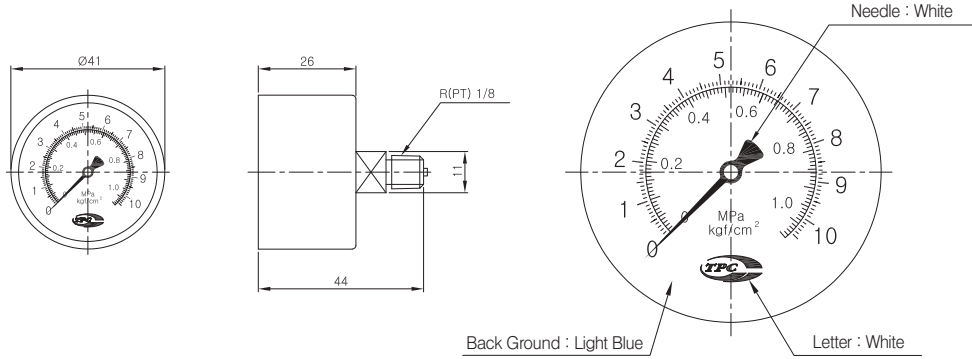


Integral Pressure Gauge (Ø36)



Gauge	Pressure Range(MPa)	Applicable Standard	Remarks
Integral Pressure Gauge(Ø24)	Max 1.0	PC2, 3 Series	Not Sold Separately
Integral Pressure Gauge(Ø36)		PC4, 5 Series	

Pressure Gauge



Item No.	Pressure Range(MPa)	Applicable Standard	Remarks
PR2-49-002	Max 0.2	PC2 ~ PC5 Series	Not Sold Separately
PR2-49-004	Max 0.4		
PR2-49-010	Max 1.0		

PA

SSV

SMS1000

Accessories

OPTION

PER2000,
3000

PVR3000

PNR4000