

# 402 SERIES V2RH

CARBON STEEL  
BSP / NPTF / SAE (ORB)

Calibrated steel manufacturing.  
Thread combination available upon request of minimum quantities.

## TECHNICAL FEATURES

**Operating pressure:** : Up to 500 Bar

**Materials:** Body: Carbon Steel EN -10277-3

O-ring: NBR / VITON / EPDM

Seating Ball: NYLON

Handle: ZAMAK-5

**Available Threads:** BSP / NPTF / SAE (ORB)

**Anchoring System:** Mounting H / ISO 5211\*

**Applications:** Designed for oil hydraulic

**Interchange:** PISTER BKH / MHA BKA / HYDAC KHB / DMIC DVH

**Available Size:** 1/4" a 1"

**Working Temperature (O-ring)**

	NBR	Viton	EPDM
	+100°C	+200°C	+150°C
	-30°C	-10°C	-40°C

**Sectors:** Industrial / Agricultural



## MODEL STRUCTURE

Ejemplo:

### 402.1015 AB F00

Series	Material	Mounting H.	O-Ring	Size	Thread	ISO 5211*
402.	1 Carbon ST.	0 No	1 NBR	1 6.3	1/4"	2 letters as per Table of Threads
		1 Yes	2 Viton	2 10	3/8"	
			3 EPDM	3 12.5	1/2"	
				4 20	3/4"	
				5 25	1"	

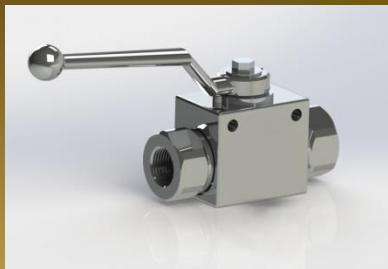
\*If Anchor Holes according ISO 5211 option is selected, sidely mounting holes option isn't compatible.

## 402-1

INTEVA reserves the right to make modifications to its products without prior notice. Any external or internal alterations to our products will automatically void the warranty.

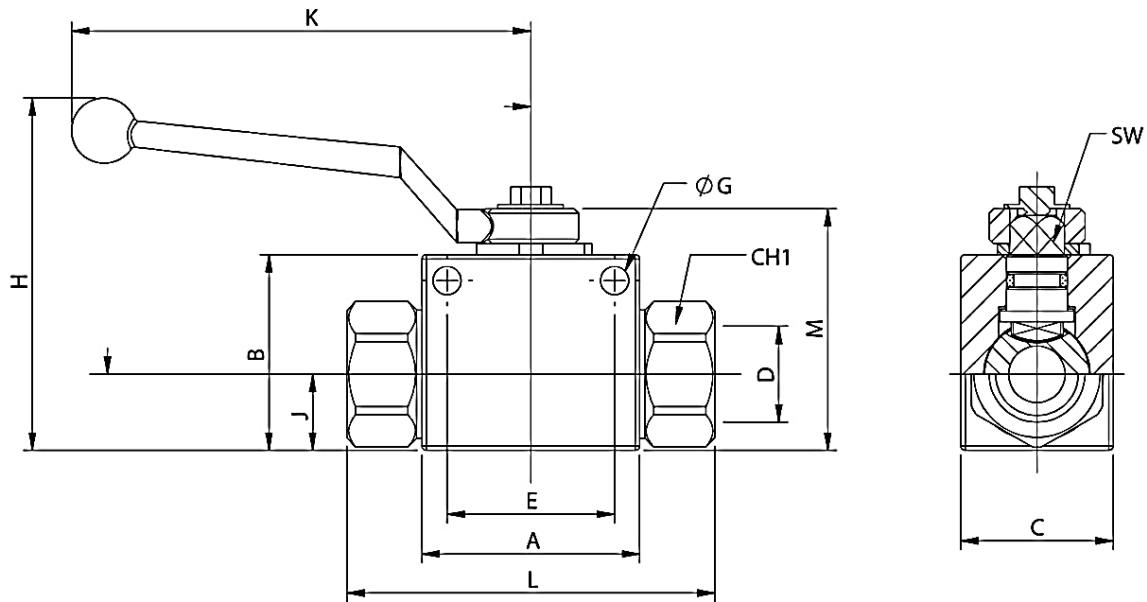



v9

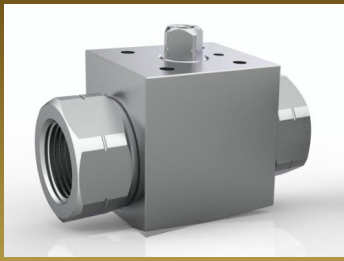


# 402 SERIES V2RH

CARBON STEEL  
BSP / NPTF / SAE (ORB)



DN	D	With M.H.	Without M.H.		CH1	L	A	B	M	K	H	J	C	SW	G	E
6.3	1/4" BSP	402.1111AB	402.1011AB													
	1/4" NPTF	402.1111BB	402.1011.BB		22	75	40	35	45.50	105.50	71	12.5	26	9	4.50	31.50
	7/16"- 20h UNF (ORB)	402.1111GA	402.1011GA													
10	3/8" BSP	402.1112AC	402.1012AC													
	3/8" NPTF	402.1112BC	402.1012BC	500	27	76	45	40	50.50	105.50	76	16	32	9	5.20	31.50
	9/16"- 18h UNF (ORB)	402.1112GC	402.1012GC													
12.5	1/2" BSP	402.1113AD	402.1013AD													
	1/2" NPTF	402.1113BD	402.1013BD		30	85	50	45	55.50	105.50	81	17.50	35	9	6.50	38.50
	3/4"- 16h UNF (ORB)	402.1113GF	402.1013GF													
20	3/4" BSP	402.1114AE	402.1014AE													
	3/4" NPTF	402.1114BE	402.1014BE	400	41	93	60	58	73	159.50	108	23	50	14	6.50	48.50
	1 1/16"- 12h UN (ORB)	402.1114GK	402.1014GK													
25	1" BSP	402.1115AF	402.1015AF		46	115										
	1" NPTF	402.1115BF	402.1015BF		46	115										
	1 1/4" BSP	402.1115AG	402.1015AG		50	137										
	1 1/4" NPTF	402.1115BG	402.1015BG	350	50	137	65	65	80	159.50	115	27.50	57	14	8.50	50.50
	1 1/2" BSP	402.1115AH	402.1015AH		55	147										
	1 1/2" NPTF	402.1115BH	402.1015BH		55	147										
	1 5/16"-12h UN (ORB)	402.1115GO	402.1015GO		46	115										

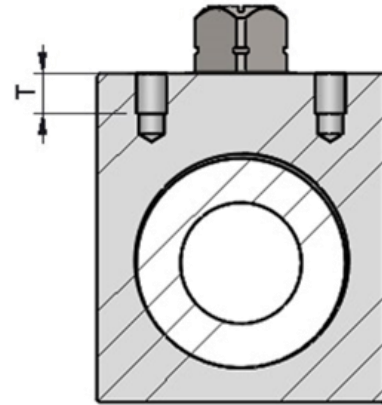
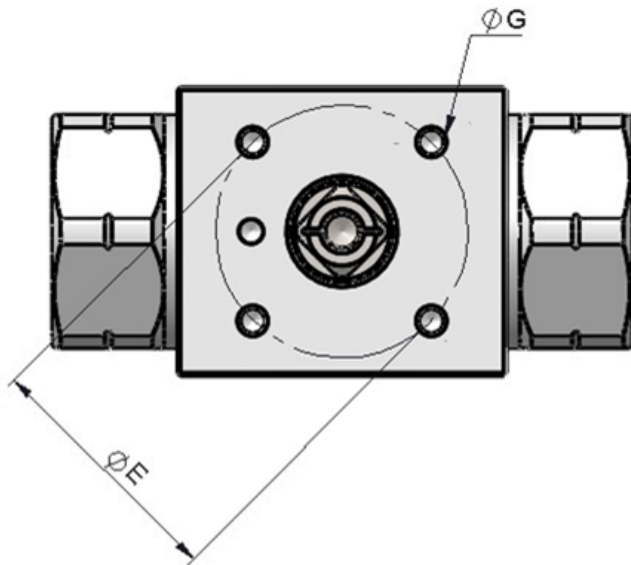


# 402 SERIES ISO 5211

(DIRECT MOUNTING OF ACTUATORS)

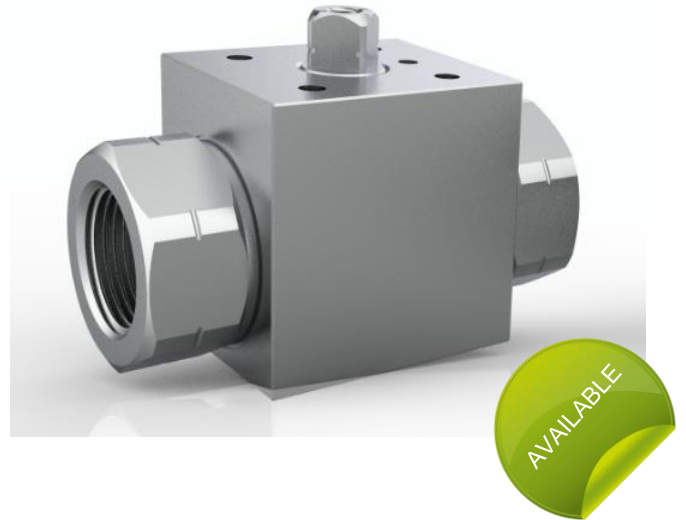
NEW

Anchoring system for direct mounting part-turn actuators.  
Available in our two-way valves in all sizes and threads.



V2RH & V2RM

DN	TYPE	ØG	ØE	T
10	F03	M5	36	12
12.5	F03	M5	36	12
20	F04	M5	42	12
	F05	M6	50	12
25	F05	M6	50	12



\*If Anchor Holes according ISO5211 option is selected, sidely mounting holes option isn't compatible.

402-5

INTEVA reserves the right to make modifications to its products without prior notice. Any external or internal alterations to our products will automatically void the warranty.

